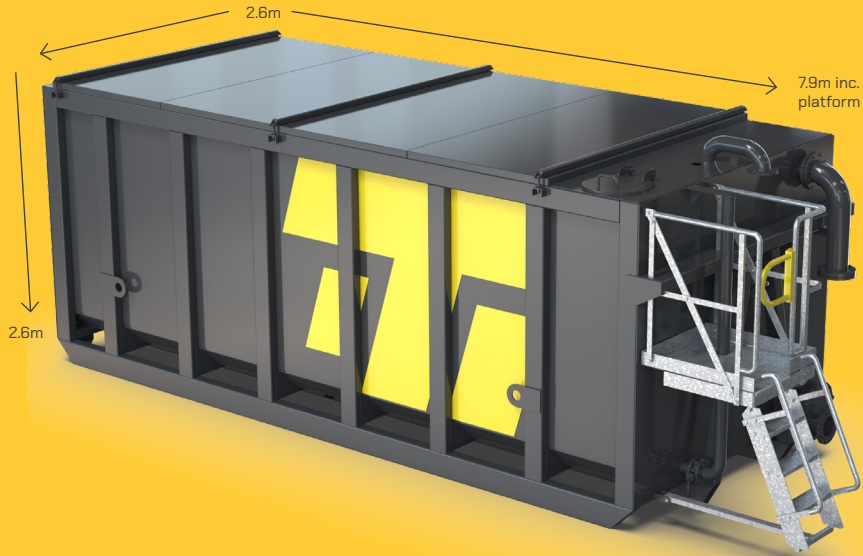
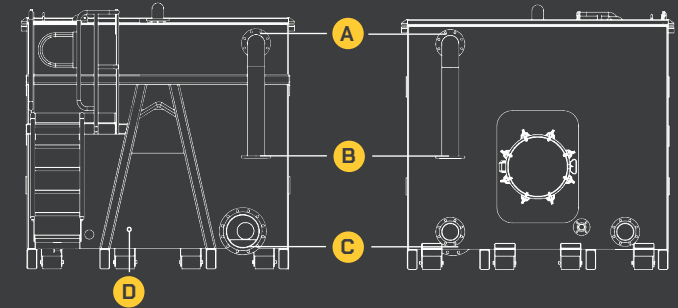


TT30 ENCLOSED & OPEN TOP BULK STORAGE TANK



TECHNICAL



	Front	Rear
Connections	<p>A High level 6 inch (150mm) connection</p> <p>B Fill Pipe up to 6 inch (150mm)</p> <p>C Sump discharge up to 12 inch (300mm)</p> <p>D Sampling take off point 1 inch (25mm)</p>	<p>High level 6 inch (150mm) connection</p> <p>Fill Pipe up to 6 inch (150mm)</p> <p>Sump discharge up to 6 inch (150mm)</p>
	Valve + Coupling connections tailored to meet your site-specific requirements	
Vent	4 inch top vent (on enclosed roof versions)	
Mounted Inspection Hatch	Visual contents inspection, accessible from top access platform	
Top Access Platform	Fold out access platform c/w steps, handrails, safety swing gate	
Contents Gauging	Sight tube Radar (Telemetric)	
Manway Access	Low level, quick release, easy access hinged manlid	
Internal Coating	Chemical resistant epoxy lining (customer to supply MSDS for tank contents compatibility checking)	

MEASUREMENTS & WEIGHT

Length	7,900mm including platform	Volume	30,000 Litres
Width	2,600mm		30m ³
Height	2,600mm		6,600 UK Gallons
Weight (empty)	5300kg (approx.)	Weight (loaded)	38900kg (approx.) - based on a liquid of SG1.12
Ground Pressure	168 kPa (approx.) - based on a liquid of SG1.12		

MOBILISATION

Roll-On / Roll-Off self-offload
Hiab self-offload
Crane lift via easy access, low level lifting points

APPLICATIONS

HP jetting	Industrial services
Pipeline testing	Site buffer storage
Chemical decom	Shutdowns & turnarounds