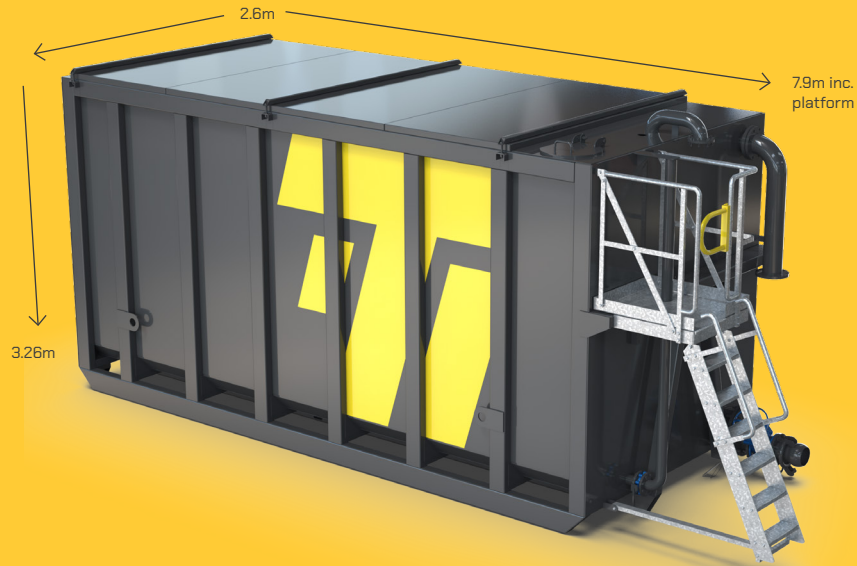


TT40 ENCLOSED & OPEN TOP BULK STORAGE TANK



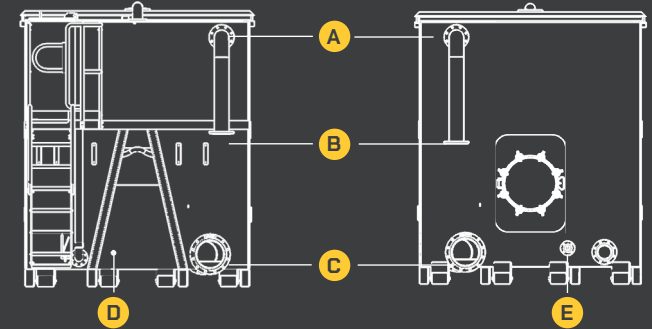
MEASUREMENTS & WEIGHT

| | | | |
|------------------------|--|------------------------|---|
| Length | 7,900mm including platform | Volume | 40,000 Litres |
| Width | 2,600mm | | 40m ³ |
| Height | 3,260mm | | 8,800 UK Gallons |
| Weight (empty) | 6300kg (approx.) | Weight (loaded) | 51100kg (approx.) - based on a liquid of SG1.12 |
| Ground Pressure | 93 kPa (approx.) - based on a liquid of SG1.12 | | |

MOBILISATION

| | | | |
|--|--|---------------------|-------------------------|
| Roll-On / Roll-Off, self-offload | | APPLICATIONS | |
| Hiab self-offload | | HP jetting | Industrial services |
| Crane lift via easy access, low level lifting points | | Pipeline testing | Environmental incidents |
| | | Chemical decom | Shutdowns & turnarounds |

TECHNICAL



| | Front | Rear |
|---------------------------------|--|--|
| Connections | <p>A High level 6 inch (150mm) connection</p> <p>B Fill Pipe up to 6 inch (150mm)</p> <p>C Sump discharge up to 12 inch (300mm)</p> <p>D Sampling take off point 1 inch (25mm)</p> | <p>A High level 6 inch (150mm) connection</p> <p>B Fill Pipe up to 6 inch (150mm)</p> <p>C Sump discharge up to 12 inch (300mm)</p> <p>E 2 inch flange</p> |
| | Valve + Coupling connections tailored to meet your site-specific requirements | |
| Vent | 4 inch top vent (on enclosed roof versions) | |
| Mounted Inspection Hatch | Visual contents inspection, accessible from top access platform | |
| Top Access Platform | Fold out access platform c/w steps, handrails, safety swing gate | |
| Contents Gauging | Sight tube Radar (Telemetric) | |
| Manway Access | Low level, quick release, easy access hinged manlid | |
| Internal Coating | Chemical resistant epoxy lining (customer to supply MSDS for tank contents compatibility checking) | |