

TT70

ENCLOSED & OPEN TOP

Weights/Measurements

Volume	70,000 Litre 70m ³ 15,400 Gallons (UK)
Height:	3,260mm
Width:	2,600mm
Length:	12,800mm - including rigged platform
Weight	10,000kg (approx.) Empty
Ground Pressure	216 kPA Over 4 Skids when full of liquid @ SG 1.12

Mobilisation

Self-offload by Roll-On-Off
Liftable by crane using low level lifting points.

Technical

Pipe Connections

Fill Pipe up to 6 inch (150mm) + valve + coupling **A**
Discharge up to 12 inch (300mm) front and rear + valve + couplings **B E**
Discharge up to 6 inch (150mm) back + valve + couplings **C**
High level 6 inch (150mm) additional connections front & rear **D F**
Valve + Coupling connection tailored to requirement.

Contents Gauging

Sampling take off point 1 inch (25mm)
Top jetting ports 6 inch (150mm)
Sight tube/Calibrated float gauge/Radar (Telemetric)*

Vent

Vented (On closed roof versions)

Manway Access

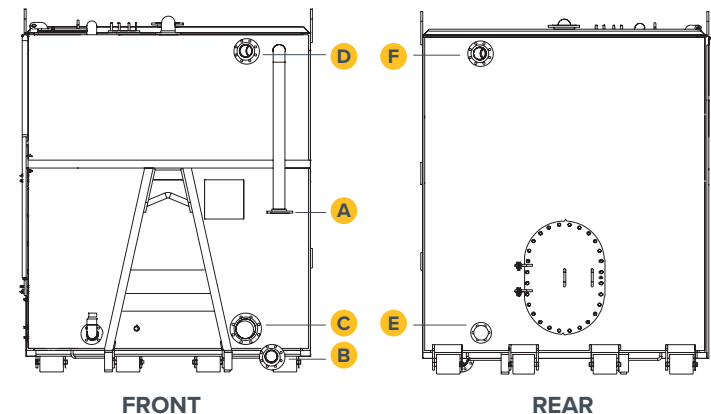
Low level 'easy step-through' hinged manlid

Top Access Platform

Integral access platform c/w steps, handrails, safety swing gate

Internal Coating

Chemical resistant epoxy lining
(Customer to supply MSDS for tank contents compatibility checking)



FRONT

REAR

