

# TT70

## MIXER



### Weights/Measurements

Volume	70,000 Litre 70m <sup>3</sup> 15,400 Gallons (UK)
Height:	<b>3,260mm</b>
Width:	<b>2,600mm</b>
Length:	<b>12,800mm - including rigged platform</b>
Weight	10,000kg (approx.) Empty
Ground Pressure	216 kPA Over 4 Skids when full of liquid @ SG 1.12

### Mobilisation

Self-offload by Roll-On-Off  
Liftable by crane using low level lifting points.

### Technical

#### Pipe Connections

Fill Pipe up to 6 inch (150mm) + valve + coupling **A**  
 Discharge up to 12 inch (300mm) front and rear + valve + couplings **B E**  
 Discharge up to 6 inch (150mm) back + valve + couplings **C**  
 High level 6 inch (150mm) additional connections front & rear **D F**  
 Valve + Coupling connection tailored to requirement.  
 Sampling take off point 1 inch (25mm)  
 Top jetting ports 6 inch (150mm)  
 2nr 4kw 1440 rpm mixers  
 5 pin plug, 3 phase 32 Amp  
 Sight tube/Calibrated float gauge/Radar (Telemetric)\*  
 Vented (On closed roof versions)  
 Low level 'easy step-through' hinged manlid  
 Integral access platform c/w steps, handrails, safety swing gate  
 Chemical resistant epoxy lining  
 (Customer to supply MSDS for tank contents compatibility checking)

#### Mixers

#### Required Power Supply

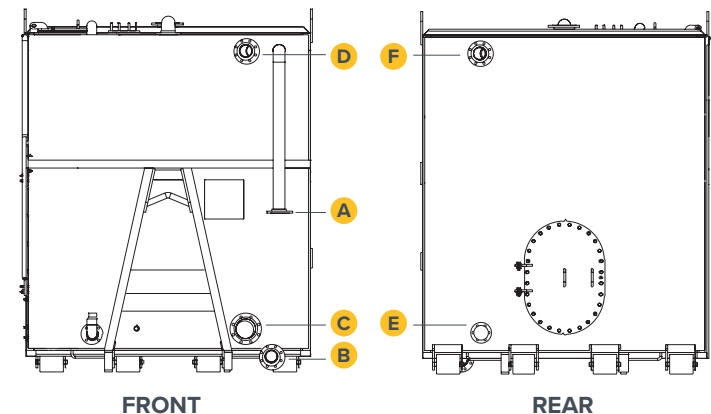
#### Contents Gauging

#### Vent

#### Manway Access

#### Top Access Platform

#### Internal Coating



FRONT

REAR

